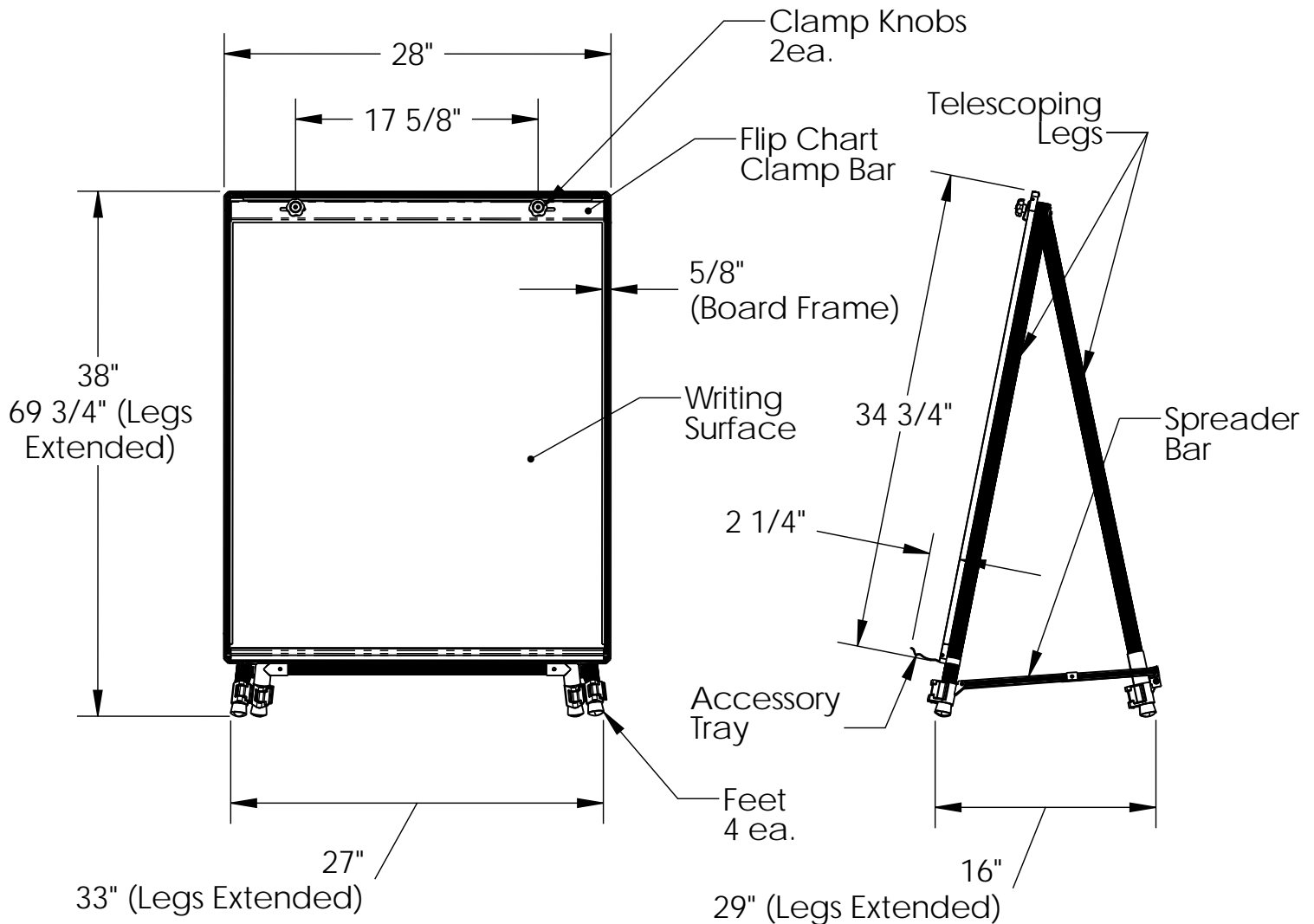


# FOUR-LEG ADJUSTABLE EASEL

With Attached Markerboard



## Materials:

- Telescoping Legs, Board Frame, Accessory Tray, and Spreader Bars: Satin anodized aluminum
- Writing Surface: White painted steel sheet, laminated 1/8" thick hardboard
- Flip Chart Clamp Rail: Light gray powder coated steel
- Fittings, Knobs, and Board Corners: Black thermoplastic
- Feet: Black rubber

## Features:

- Telescoping Legs
- Non-skid Feet