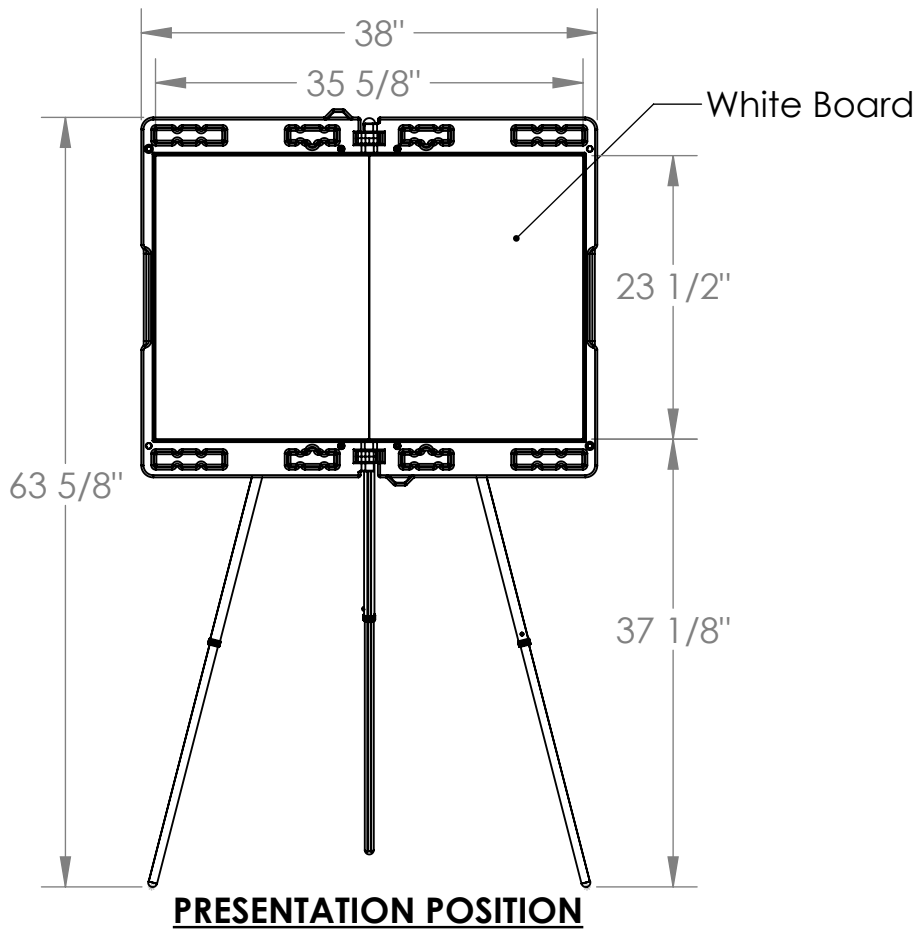


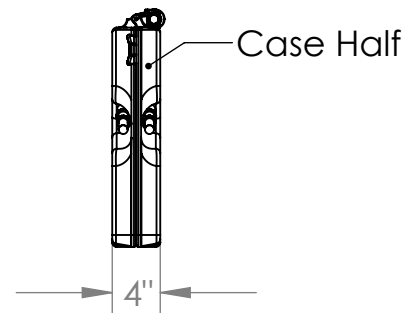
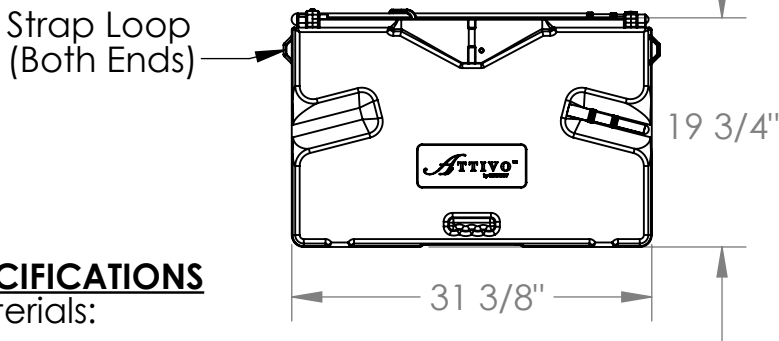
MODEL 19982

Attivo Presentation Kit

ghent®



CARRYING POSITION



SPECIFICATIONS

Materials:

- Case Halves - Medium gray blow molded high-density polyethylene.
- White Board - White enamel whiteboard surface applied to 1/8" thick tempered hard board.
- 3-Section Telescopic Legs - Clear anodized aluminum extrusions with nylon internal bushings, steel snap buttons, and non-marking rubber feet/caps.

Accessories Included:

- (4) Erasable Chisel Tipped Markers.
- (1) Mini eraser
- (1) 2" wide black nylon or polypropylene adjustable shoulder strap.

Weight: 16.2 lbs.