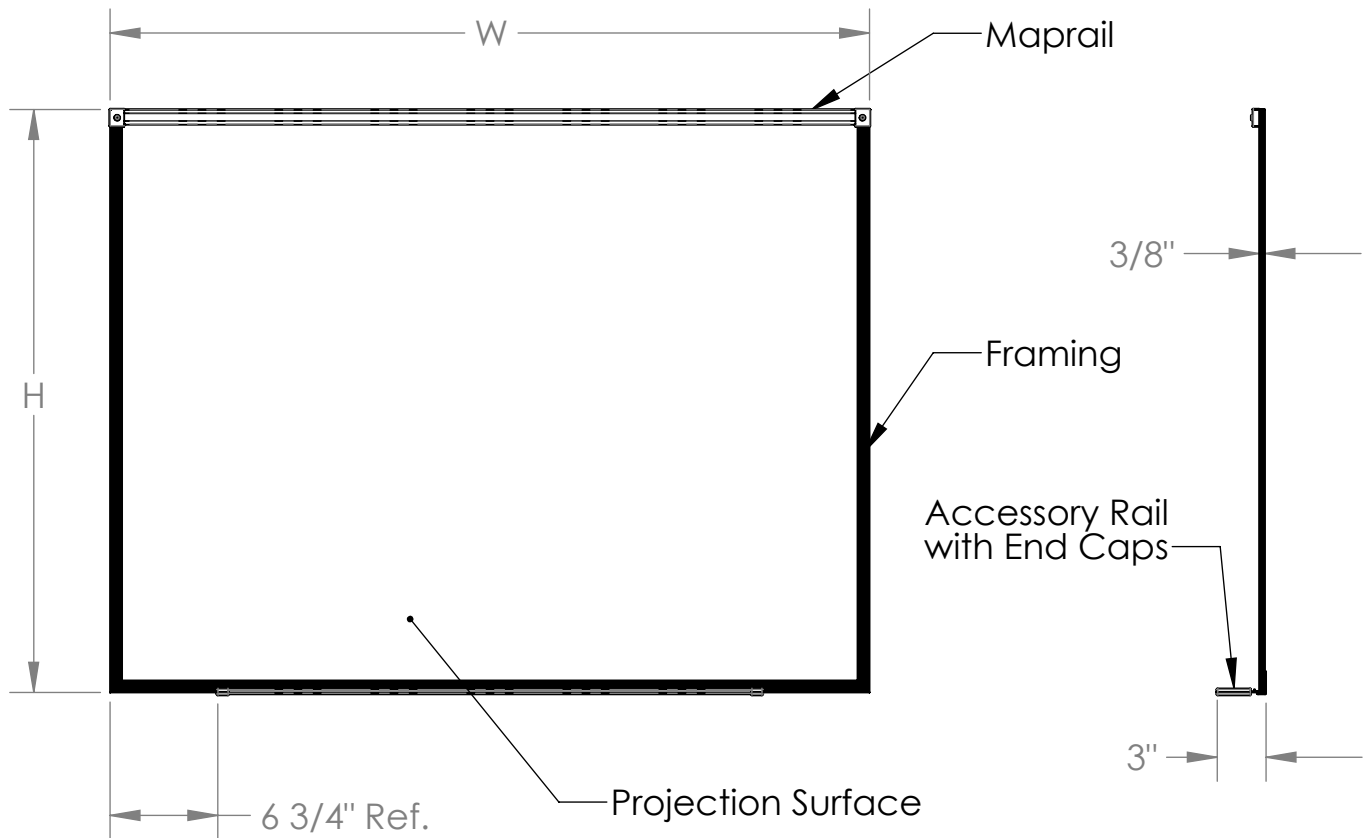


# PRM1 Series

## PROMA Projection Surface Boards



### Materials:

- Framing and detached accessory tray: Satin anodized aluminum extrusion.
- Projection surface: White porcelain enameled aluminized steel sheet laminated to 1/4" thick hardboard with a mylar film backing.
- Accessory tray end caps: Gray thermoplastic

### Features:

- Full length 1" wide maprail, with natural cork installed.
- (1) eraser and (4) color erasable markers included.
- Mounting hardware included.
- Guaranteed for fifty years.
- Available in 4 board sizes:

| Nom.      | Actual                |
|-----------|-----------------------|
| 3'H x 4'W | (36-7/16" x 47-7/16") |
| 4'H x 4'W | (47-7/16" x 48-7/16") |
| 4'H x 6'W | (47-7/16" x 72-1/2")  |
| 4'H x 8'W | (47-7/16" x 96-1/2")  |