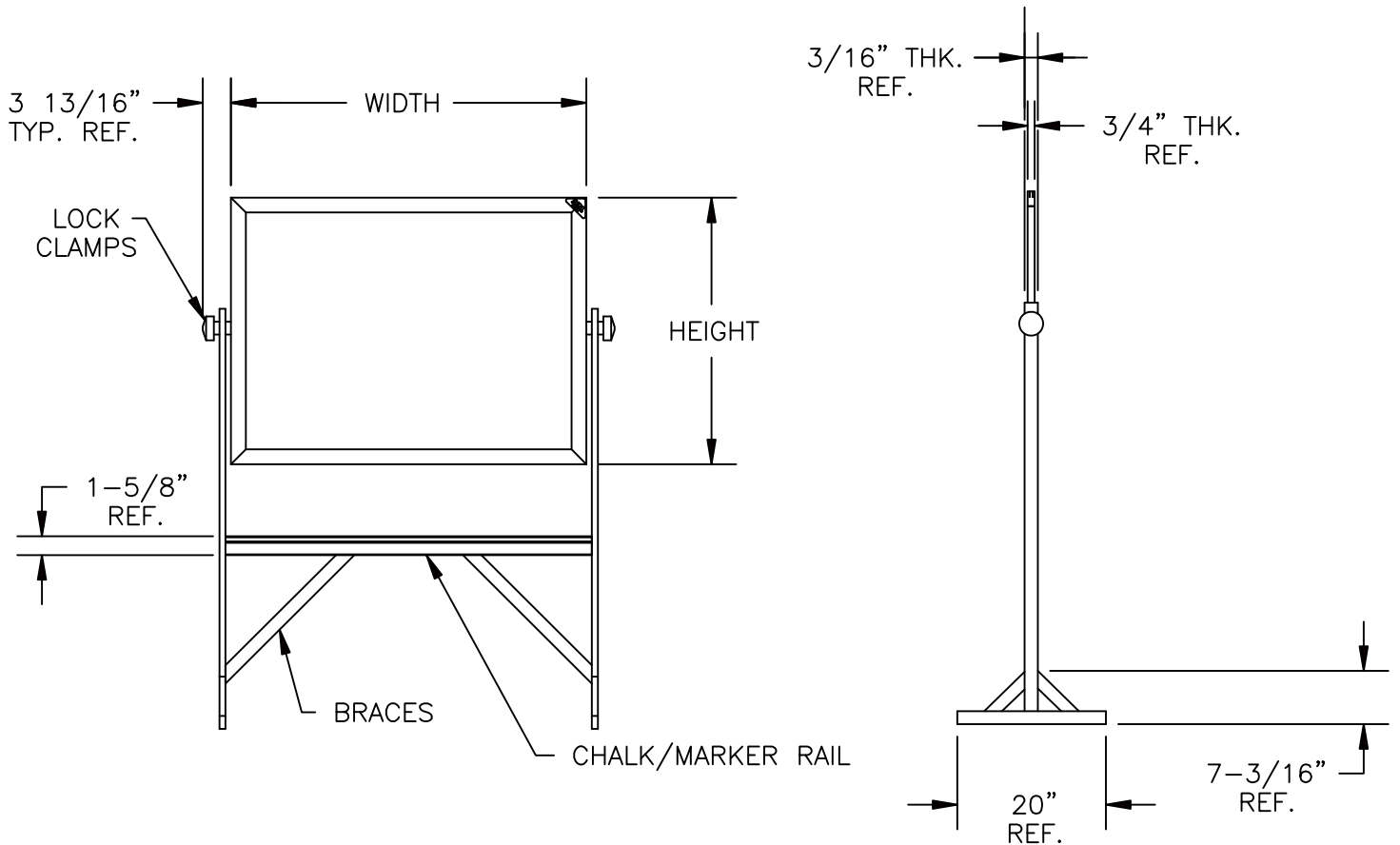


# RM Series

WOOD FRAMED REVERSIBLE BOARDS



## Specifications

Wood framing is clear-coated oak.  
 Framing is permanently attached to markerboard writing or tack surface.  
 The reversing mechanism is designed for simple reversible action.  
 Strong steel lock clamps adjust to secure the board in place.  
 Each unit includes a full chalk/marker tray and reinforced bracing for reduced swaying.  
 Casters are optional on all wood boards.  
 The reversible boards are available in six different surface combinations.  
 Available board sizes: 36”H x 48”W or 48”H x 72”W.