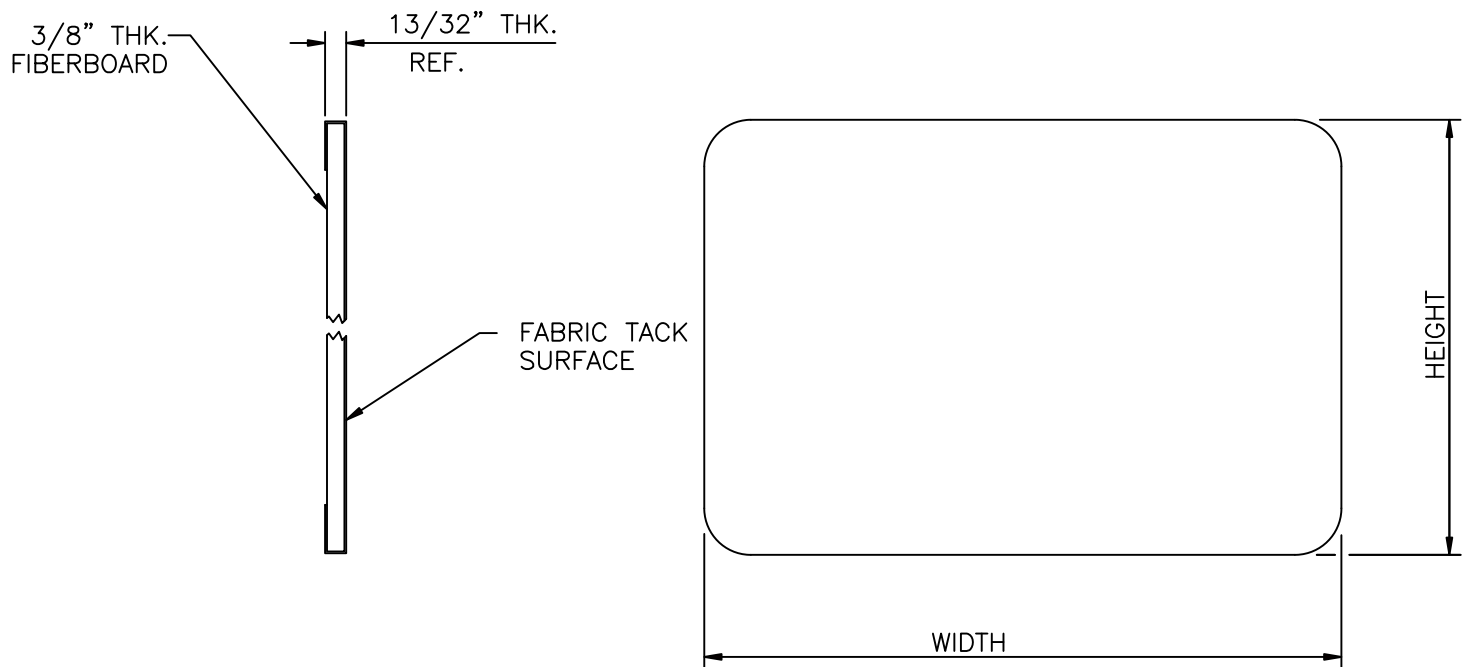


## WRAPPED EDGE FABRIC TACKBOARDS



## Specifications

Fabric tackboards are wrapped-edge fabric boards which add style while providing a sturdy tack surface.

The fabrics are colorfast and will remain free from damage.

The corners and fabric edge design make a tasteful addition to any decor.

The tackboard is available in gray(91), beige, black(90), blue(95), or merlot(92) and carries a 10-year guarantee.

Available in sizes 12"H x 48"W, 18"H x 24"W, 24"H x 36"W, 36"H x 48"W, and 48"H x 72"W