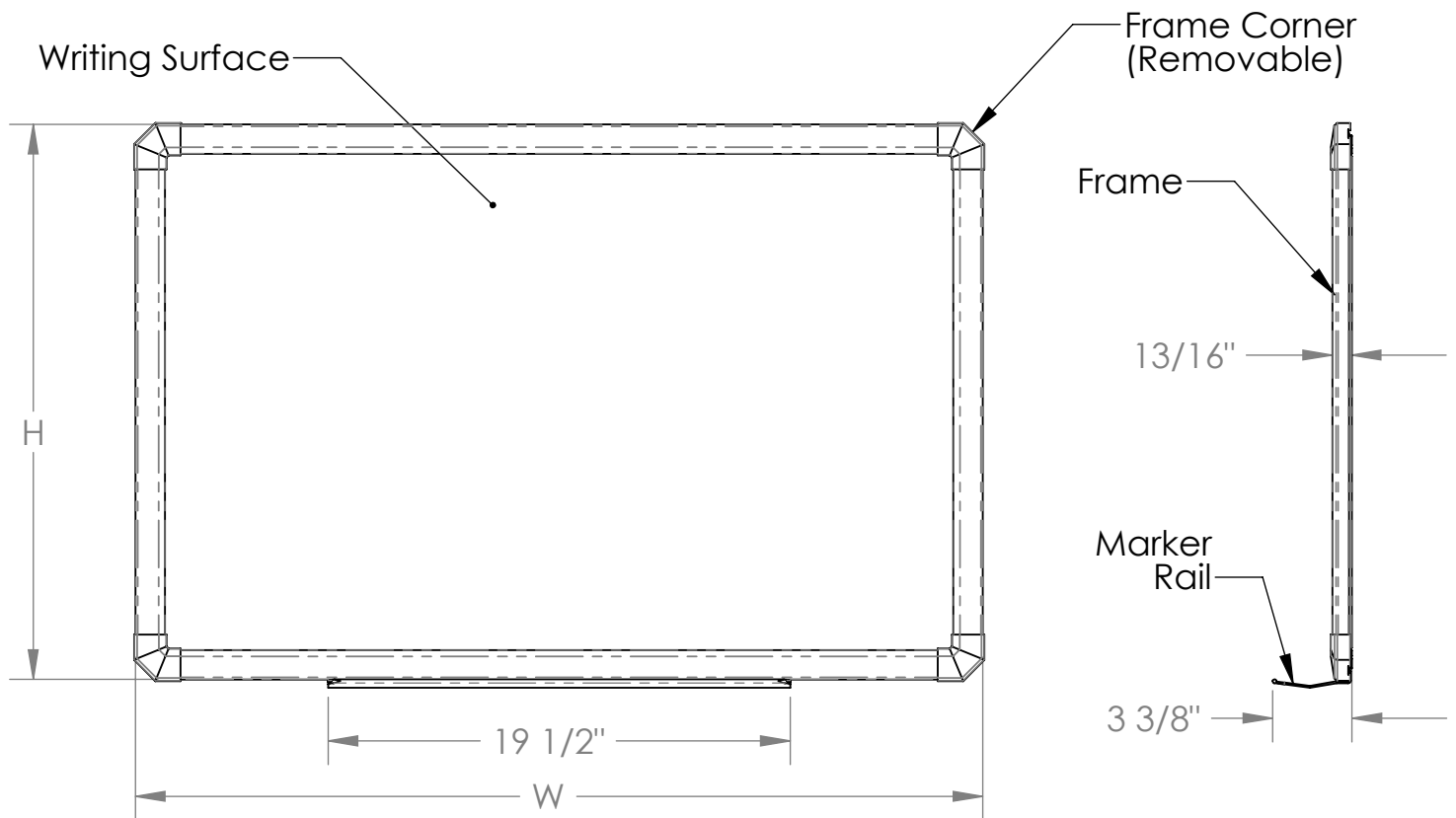


0450 Series

DECOquest Whiteboards



Materials:

- Framing: Aluminum extrusion
- Writing Surface: White porcelain coated 28 gage - steel laminated to 3/8" thick fiberboard, with a mylar film backing.
- Frame Corners and Marker Rail: Black thermoplastic.

Features:

- Side frame rails are black satin anodized.
- Top and bottom frame rails have a cherry woodgrain finish.
- Mounting fasteners (not included) will be hidden under the frame corners, when installed.
- The boards mount horizontally or vertically.
- An eraser, black marker, and marker rail is included with each board.
- Available in the following sizes:
 - 23 1/2"H x 35 3/4"W
 - 35 3/4"H x 47"W
 - 47 1/4"H x 70 3/4"W
 - 47 1/4"H x 91 1/4"W

Notes:

- For indoor use only.